





PLANS PREPARED BY:

mobile: 303.870.2276  
office: 303.363.8574  
aZ@ZYmR.co

**AARON ZIMMER**  
architect

**LIMITATION OF WARRANTY AND ARCHITECT'S WORK PRODUCT:**  
The architect and his consultants do not warrant or guarantee the accuracy and completeness of the work product herein beyond a reasonable diligence. If any mistakes, omissions, and/or discrepancies are found to exist within the work product, the Architect shall be notified immediately. Failure to promptly notify the Architect of such conditions shall absolve the Architect from any responsibility for the consequences of such failure. Modifications or contradictions to the plans taken without the knowledge, consent, or recommendation of the Architect shall transfer all responsibility to the parties taking said actions.

**COPYRIGHT © 2013 Studio-Z Architecture, LLC**  
The use of all information be it drawn or written appearing herein shall be restricted to the original project site for which said information was prepared and publication thereof is expressly limited to such use.

REV.	DATE:	DESCRIPTION:	BY:
A	09/13/13	PRELIM ZD REVIEW	a.z.

ISSUE DATE:  
**SEPT. 13. 2013**

LICENSURE No:

PROJECT INFORMATION:

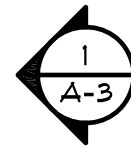
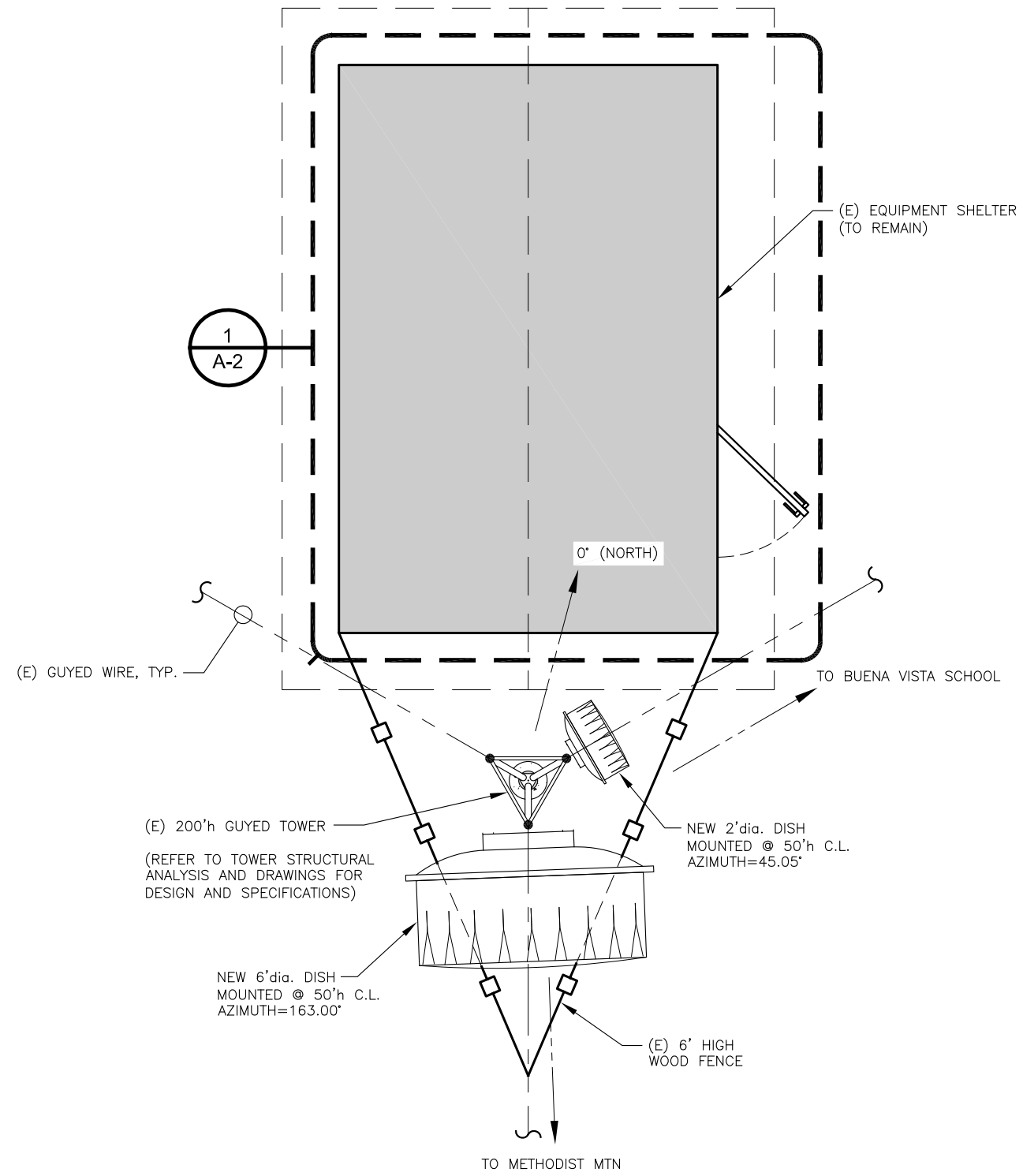
SITE NAME  
**PILGRIM COMM.  
BUENA VISTA**  
RODEO ROAD  
BUENA VISTA, CO 81211  
CHAFFEE COUNTY  
80'H SELF-SUPPORT

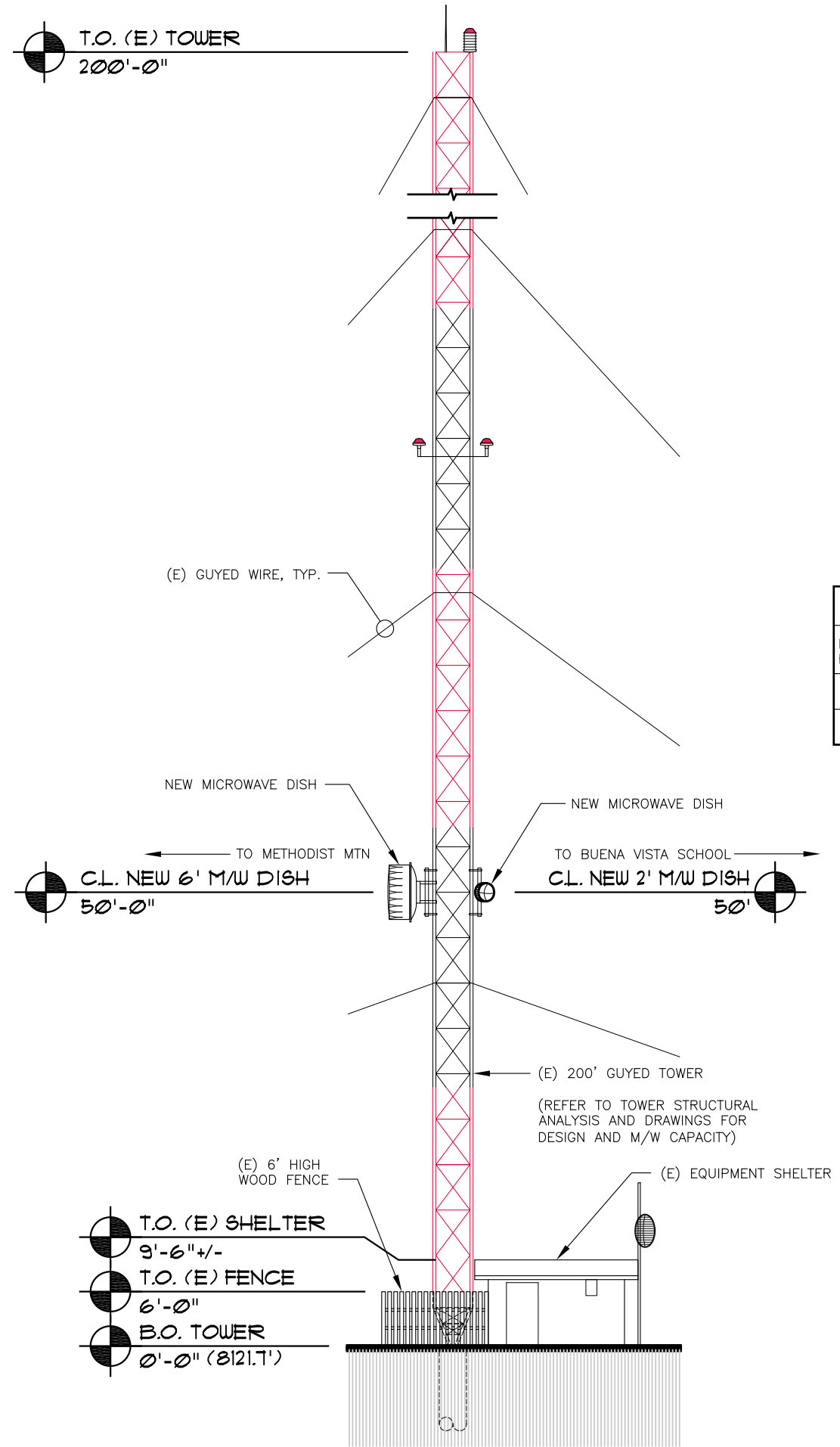
SHEET TITLE:

**SITE PLAN**

SHEET NUMBER:

**A-1**





**ANTENNA MOUNTING NOTES:**

- DESIGN AND CONSTRUCTION OF DISH SUPPORTS SHALL CONFORM TO CURRENT ANSI/TIA-222.
- ALL STEEL MATERIALS SHALL BE GALVANIZED AFTER FABRICATION IN ACCORDANCE WITH ASTM A123 "ZINC (HOT-DIP GALVANIZED) COATINGS ON IRON AND STEEL PRODUCTS", UNLESS NOTED OTHERWISE.
- ALL BOLTS, ANCHORS AND MISCELLANEOUS HARDWARE SHALL BE GALVANIZED IN ACCORDANCE WITH ASTM A153 "ZINC-COATING (HOT-DIP) ON IRON AND STEEL HARDWARE", UNLESS NOTED OTHERWISE.
- DAMAGED GALVANIZED SURFACES SHALL BE REPAIRED BY COLD GALVANIZING PER ASTM A780.
- ALL DISH MOUNTS SHALL BE INSTALLED WITH LOCK NUTS, DOUBLE NUTS AND SHALL BE TORQUED TO MANUFACTURER'S RECOMMENDATIONS.
- CONTRACTOR SHALL INSTALL DISH AND GROUNDING PER MANUFACTURER'S RECOMMENDATION.

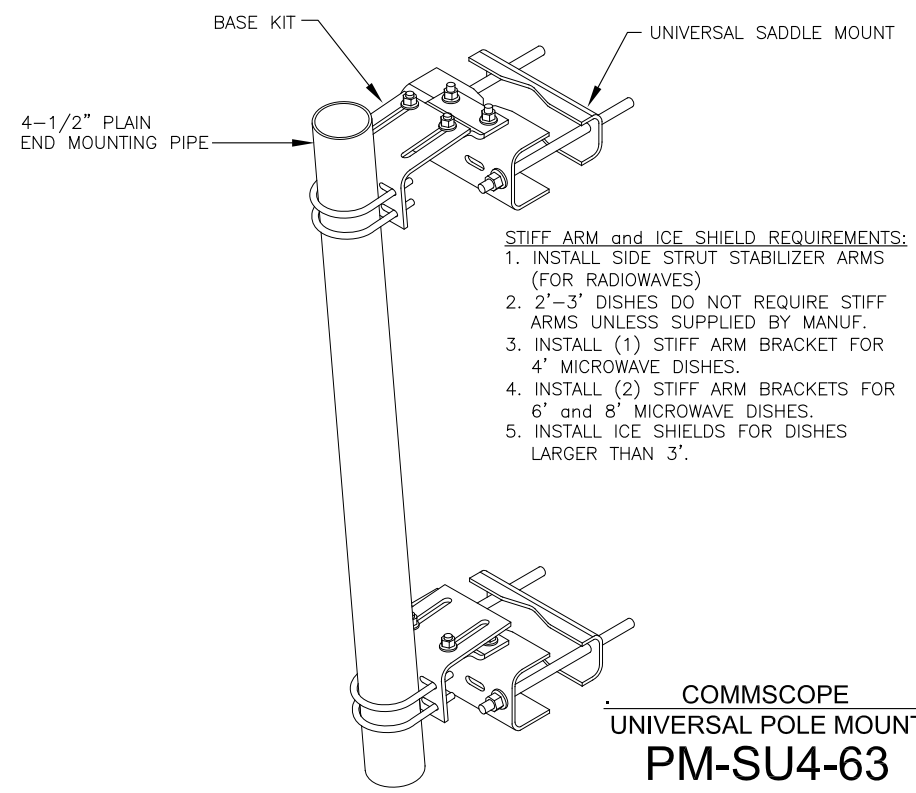
**TORQUE REQUIREMENTS:**

- ALL RF CONNECTIONS SHALL BE TIGHTENED BY A TORQUE WRENCH, AND SHALL HAVE A TORQUE MARK INSTALLED IN A CONTINUOUS STRAIGHT LINE FROM BOTH SIDES OF THE CONNECTION.
  - RF CONNECTION BOTH SIDES OF THE CONNECTOR.
  - GROUNDING AND ANTENNA HARDWARE ON THE NUT SIDE STARTING FROM THE THREADS TO THE SOLID SURFACE.  
EXAMPLE OF SOLID SURFACE: GROUND BAR, ANTENNA BRACKET METAL.
- ALL 8M ANTENNA HARDWARE SHALL BE TIGHTENED TO 9 LB-FT (12 NM).
- ALL 12M ANTENNA HARDWARE SHALL BE TIGHTENED TO 43 LB-FT (58 NM).
- ALL GROUND GROUNDING HARDWARE SHALL BE TIGHTENED UNTIL THE LOCK WASHER COLLAPSES AND THE GROUNDING HARDWARE IS NO LONGER LOOSE.
- ALL DIN TYPE CONNECTIONS SHALL BE TIGHTENED TO 18-22 LB-FT (24.4 - 29.8 NM).
- ALL N TYPE CONNECTIONS SHALL BE TIGHTENED TO 15-20 LB-IN (1.7 - 2.3 NM).

**GENERAL NOTES:**

- IT IS THE CONTRACTORS RESPONSIBILITY TO VERIFY DISH CONFIGURATION, MAKE AND MODELS PRIOR TO INSTALLATION.
- ALL CONNECTIONS FOR HANGERS, SUPPORTS, BRACING, ETC. SHALL BE INSTALLED PER TOWER OWNER OR TOWER ANALYSIS RECOMMENDATIONS.
- CONTRACTOR SHALL REFERENCE THE TOWER STRUCTURAL ANALYSIS/DESIGN DRAWINGS FOR DIRECTIONS ON CABLE DISTRIBUTION/ROUTING.
- ALL OUTDOOR RF CONNECTORS/CONNECTIONS SHALL BE WEATHERPROOFED USING BUTYL TAPE AFTER INSTALLATION AND FINAL CONNECTIONS MADE. BUTYL TAPE SHALL HAVE A MINIMUM OF ONE-HALF TAPE WIDTH OVERLAP ON EACH TURN AND EACH LAYER SHALL BE WRAPPED THREE TIMES. WEATHERPROOFING SHALL BE SMOOTH WITHOUT BUCKLING. BUTYL BLEEDING IS NOT ALLOWED.
- IF REQUIRED TO PAINT DISH AND/OR COAX:
  - TEMPERATURE SHALL BE ABOVE 50°
  - PAINT COLOR MUST BE APPROVED BY BUILDING OWNER/LANDLORD.
  - FOR REGULATED TOWERS, FAA/FCC APPROVED PAINT IS REQUIRED.
  - DO NOT PAINT OVER COLOR CODING OR ON EQUIPMENT MODEL NUMBERS.
- NEW/UPGRADED MICROWAVE DISHES ARE SHOWN FOR DESIGN AND PLACEMENT ONLY. CARRIER SHALL CONSULT A TOWER STRUCTURAL ANALYSIS TO CONFIRM IF EXISTING TOWER HAS ADEQUATE CAPACITY FOR THE DESIRED MICROWAVE INSTALLATION/CONFIGURATION.

PROPOSED ANTENNA AND TRANSMISSION CABLE REQUIREMENT										
NO. OF RADIOS	RADIO	COUPLER	DISH MANUF.	M/W DISH MODEL	AZIMUTH	RAD C.L.	TRANSMISSION CABLE			
							QTY.	LENGTH	TYPE	
			DRAGONWAVE	NEW	A-ANT-23G-24-C-A	45.05°	50'	1	70'	
			DRAGONWAVE	NEW	A-ANT-06G-72-W-A	163.00°	50'	1	70'	



PLANS PREPARED BY:

mobile: 303.870.2276  
office: 303.363.8974  
aZ@ZYmR.co

**AARON ZIMMER**  
architect

**LIMITATION OF WARRANTY AND ARCHITECT'S WORK PRODUCT:**  
The architect and his consultants do not warrant or guarantee the accuracy and completeness of the work product herein beyond a reasonable diligence. If any mistakes, omissions, and/or discrepancies are found to exist within the work product, the Architect shall be notified immediately. Failure to promptly notify the Architect of such conditions shall absolve the Architect from any responsibility for the consequences of such failure. Modifications or contradictions to the plans taken without the knowledge, consent, or recommendation of the Architect shall transfer all responsibility to the parties taking said actions.

**COPYRIGHT © 2013 Studio-Z Architecture, LLC**  
The use of all information be it drawn or written appearing herein shall be restricted to the original project site for which said information was prepared and publication thereof is expressly limited to such use.

REV.	DATE:	DESCRIPTION:	BY:
A	09/13/13	PRELIM ZD REVIEW	a.z.

**ISSUE DATE:**  
**SEPT. 13. 2013**

LICENSURE NO:

**PROJECT INFORMATION:**

SITE NAME  
**PILGRIM COMM.**  
**BUENA VISTA**  
RODEO ROAD  
BUENA VISTA, CO 81211  
CHAFFEE COUNTY  
80'H SELF-SUPPORT

**SHEET TITLE:**  
**ELEVATION, DETAILS AND NOTES**

**SHEET NUMBER:**

**A-3**